

## LED导光柱 LED PIPE



用途：可快速将Ø5 LED固定于机器面板上

MATERIAL : PC(UL)

FLAME CLASS : 94V-0,94V-2

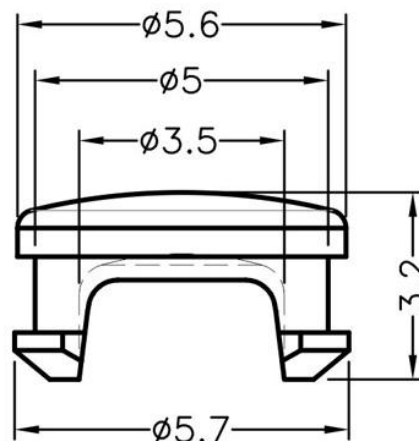
COLOR : TRANSPARENT

UNIT : mm

2

MOUNTING HOLE  $\phi 5$   
THICKNESS 1.3

PART NO	PACKAGE
LEDLP-159	1000



## LED导光柱 LED PIPE



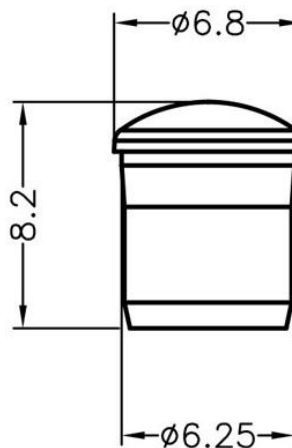
用途：使 LED 导光于机壳面板上，使光度均匀、柔和

MATERIAL : PC(UL)

FLAME CLASS : 94V-0,94V-2

COLOR : TRANSPARENT

UNIT : mm



PART NO	PACKAGE
LEDLP-160	1000